

DIAMOND

PV MODULES WITH X-FACTOR

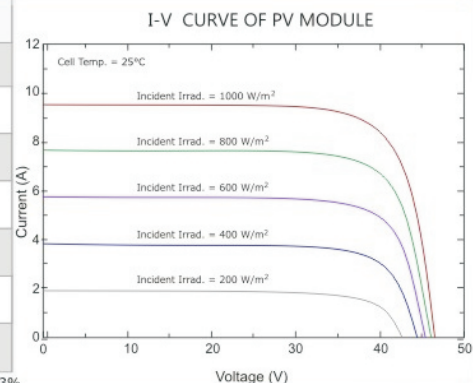
315-345W POLY CRYSTALLINE - 72 CELL



ELECTRICAL PARAMETERS AT STC

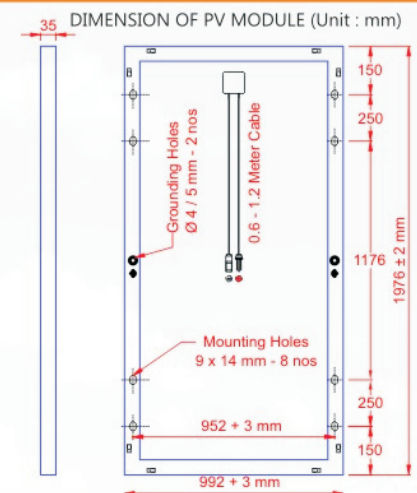
Model	ALP 315W	ALP 320W	ALP 325W	ALP 330W	ALP 335W	ALP 340W	ALP 345W
Peak Power [Pmax(Wp)] (0 ~ +4.99 Wp)	315	320	325	330	335	340	345
Max. Power Voltage (Vmp) [V]	37.04	37.39	37.67	37.90	38.08	38.17	38.29
Max. Power Current (Imp) [A]	8.51	8.56	8.63	8.71	8.80	8.91	9.02
Open Circuit Voltage (Voc) [V]	44.76	45.08	45.41	45.68	46.02	46.34	46.60
Short Circuit Current (Isc) [A]	9.26	9.31	9.34	9.38	9.43	9.47	9.55
Module Efficiency (%)	16.07	16.32	16.58	16.83	17.09	17.34	17.60
Maximum System Voltage (V DC)	1500	1500	1500	1500	1500	1500	1500

* STC: Irradiance 1000W/m², Cell Temperature 25°C, AM1.5 . All other parameters have a tolerance of +/-5%, Measurement Uncertainty +/-3%



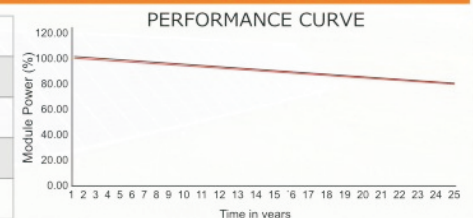
MECHANICAL SPECIFICATIONS

Dimensions (L x W x H)	1976 mm X 992 mm X 35 mm
Weight	21.3 Kgs
Junction Box	IP 67/68 Rated with 3 Bypass Diodes
Cable & Connectors	4.0 mm ² , Length - 600/1000/1200 mm (MC4 Compatible)
Application Class	Class A (Safety Class II)
Superstrate	High Transmission, AR Coated Tempered Glass
Solar Cells	Polycrystalline Silicon - 72 pcs
Cell Encapsulation	EVA (Ethylene Vinyl Acetate)
Back Sheet	Multilayered Back Sheet
Frame	Anodized Aluminium Frame
Mechanical Load Test	5400 Pa (Snow Load), 2400 Pa (Wind Load)
Max. Series Fuses Rating	15A



TEMPERATURE COEFFICIENTS (TC) AND PERMISSIBLE OPERATING CONDITIONS

NOCT	45°C ±2°C
Coefficient of Power (Pmax)	-0.39%/°C
Coefficient of Voltage (Voc)	-0.31%/°C
Coefficient of Current (Isc)	0.06%/°C
Temperature Range	-40°C To +85°C



WARRANTY AND CERTIFICATIONS

Performance*	Power output of 90% at the end of 10 Years and 80% at the end 25 Years
Approvals and Certificates	IEC 61215 Ed2, IEC 61730, IEC 61701, IEC 62716, IEC 62804, UL 61730, BIS
* Refer to Alpex Modules Warranty Document	

PACKAGING CONFIGURATION

Container Size	40' HC	Domestic Options	
Modules per Pallet	31 Pieces	27/30/31 Pieces	
Modules per Container	682 Pieces (22 Pallets)		

Alpex Solar Limited (ISO 9001:2015, ISO 14001:2015 & ISO 45001:2018 Certified Company)

Plot No.-I-25 & I-26, Site-5, Surajpur
Industrial Area, Kasna, Greater Noida – 201306,
District: Gautam Budh Nagar, Uttar Pradesh, (India)

Toll Free: 1800 11 2573
Email: info@alpexonline.com
Website: www.alpexsolar.com

Delhi | Jaipur | Kolkata | Ludhiana | Mumbai | Tirupur | Seoul | Sydney

DIAMOND

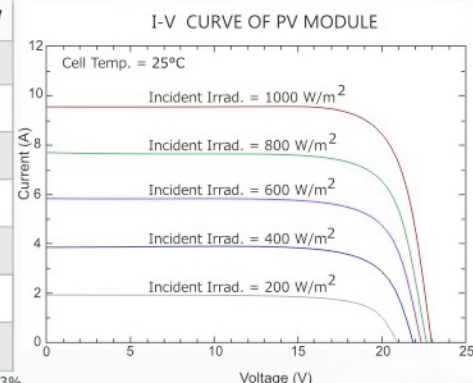
PV MODULES WITH X-FACTOR

150-170W POLY CRYSTALLINE - 36 CELL



ELECTRICAL PARAMETERS AT STC

Model	ALP150W	ALP155W	ALP160W	ALP165W	ALP170W
Peak Power [Pmax(Wp)] (0 ~ +4.99 Wp)	150	155	160	165	170
Max. Power Voltage (Vmp) [V]	17.83	18.22	18.30	18.45	18.86
Max. Power Current (Imp) [A]	8.42	8.55	8.74	8.95	9.02
Open Circuit Voltage (Voc) [V]	21.90	22.18	22.42	22.65	23.01
Short Circuit Current (Isc) [A]	9.15	9.28	9.42	9.55	9.61
Module Efficiency (%)	14.52	15.01	15.50	15.98	16.46
Maximum System Voltage (V DC)	600	600	600	600	600

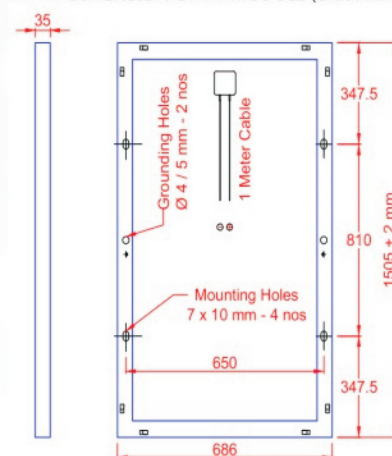


* STC: Irradiance 1000W/m², Cell Temperature 25°C, AM1.5. All other parameters have a tolerance of +/-5%, Measurement Uncertainty +/-3%

MECHANICAL SPECIFICATIONS

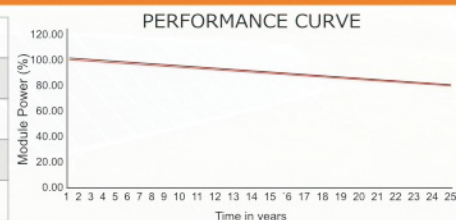
Dimensions (L x W x H)	1505 mm x 686 mm x 35 mm
Weight	11 Kgs
Junction Box	IP 67/68 Rated with 2 Bypass Diodes
Cable & Connectors	4.0 mm ² , Length - 1000 mm, MC4 Compatible (Available on Request)
Application Class	Class A (Safety Class II)
Superstrate	High Transmission, AR Coated Tempered Glass
Solar Cells	Polycrystalline Silicon - 36 pcs
Cell Encapsulation	EVA (Ethylene Vinyl Acetate)
Back Sheet	Multilayered Back Sheet
Frame	Anodized Aluminium Frame
Mechanical Load Test	5400 Pa (Snow Load), 2400 Pa (Wind Load)
Max. Series Fuses Rating	10A

DIMENSION OF PV MODULE (Unit : mm)



TEMPERATURE COEFFICIENTS (TC) AND PERMISSIBLE OPERATING CONDITIONS

NOCT	45°C ±2°C
Coefficient of Power (Pmax)	-0.39%/°C
Coefficient of Voltage (Voc)	-0.31%/°C
Coefficient of Current (Isc)	0.06%/°C
Temperature Range	-40°C To +85°C



WARRANTY AND CERTIFICATIONS

Performance*	Power output of 90% at the end of 10 Years and 80% at the end 25 Years
Approvals and Certificates	IEC 61215 Ed2, IEC 61730, IEC 61701, IEC 62716, IEC 62804, UL 61730, BIS

* Refer to Alpex Modules Warranty Document

PACKAGING CONFIGURATION

Container Size	40' HC	Domestic Options	
Modules per Pallet	31 Pieces	27/30/31 Pieces	
Modules per Container	1302 Pieces (42 Pallets)		

Alpex Solar Limited (ISO 9001:2015, ISO 14001:2015 & ISO 45001:2018 Certified Company)

Plot No.-I-25 & I-26, Site-5, Surajpur
Industrial Area, Kasna, Greater Noida – 201306,
District: Gautam Budh Nagar, Uttar Pradesh, (India)

Toll Free: 1800 11 2573
Email: info@alpexonline.com
Website: www.alpexsolar.com

Delhi | Jaipur | Kolkata | Ludhiana | Mumbai | Tirupur | Seoul | Sydney

DIAMOND

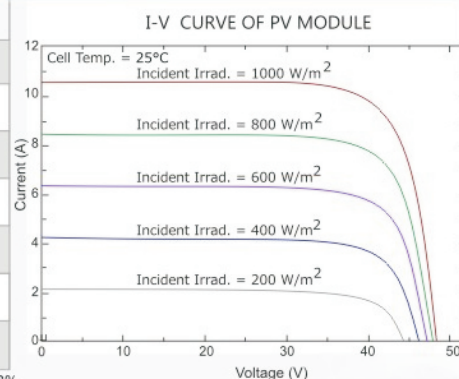
PV MODULES WITH X-FACTOR

375-400W MONO PERC CRYSTALLINE - 72 CELL



ELECTRICAL PARAMETERS AT STC

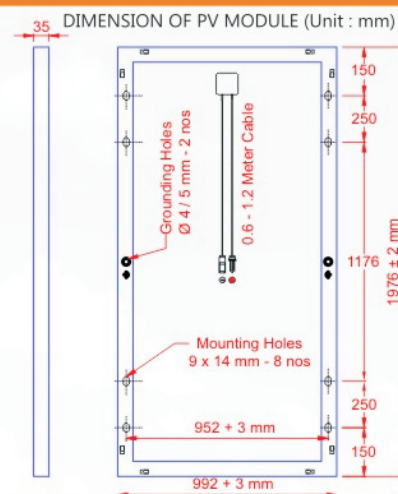
Model	ALP 375WM	ALP 380WM	ALP 385WM	ALP 390WM	ALP 395WM	ALP 400WM
Peak Power [Pmax(Wp)] (0 ~ +4.99 Wp)	375	380	385	390	395	400
Max. Power Voltage (Vmp) [V]	38.71	38.99	39.22	39.49	39.71	39.95
Max. Power Current (Imp) [A]	9.69	9.75	9.82	9.88	9.95	10.02
Open Circuit Voltage (Voc) [V]	47.40	47.54	47.76	47.97	48.19	48.55
Short Circuit Current (Isc) [A]	10.28	10.33	10.38	10.42	10.48	10.55
Module Efficiency (%)	19.13	19.38	19.64	19.89	20.15	20.40
Maximum System Voltage (V DC)	1500	1500	1500	1500	1500	1500



* STC: Irradiance 1000W/m2, Cell Temperature 25°C, AM1.5 . All other parameters have a tolerance of +/-5%, Measurement Uncertainty +/-3%

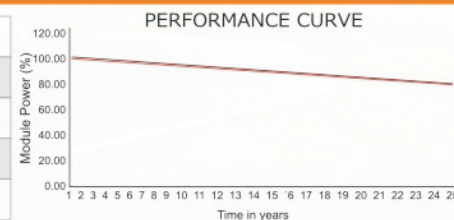
MECHANICAL SPECIFICATIONS

Dimensions (L x W x H)	1976 mm X 992 mm X 35 mm
Weight	21.3 Kgs
Junction Box	IP 67/68 Rated with 3 Bypass Diodes
Cable & Connectors	4.0 mm ² , Length - 600/1000/1200 mm (MC4 Compatible)
Application Class	Class A (Safety Class II)
Superstrate	High Transmission, AR Coated Tempered Glass
Solar Cells	Mono PERC Crystalline - 72 pcs
Cell Encapsulation	EVA (Ethylene Vinyl Acetate)
Back Sheet	Multilayered Back Sheet
Frame	Anodized Aluminium Frame
Mechanical Load Test	5400 Pa (Snow Load), 2400 Pa (Wind Load)
Max. Series Fuses Rating	15A



TEMPERATURE COEFFICIENTS (TC) AND PERMISSIBLE OPERATING CONDITIONS

NOCT	45°C ±2°C
Coefficient of Power (Pmax)	-0.35%/°C
Coefficient of Voltage (Voc)	-0.27%/°C
Coefficient of Current (Isc)	0.045%/°C
Temperature Range	-40°C To +85°C



WARRANTY AND CERTIFICATIONS

Performance*	Power output of 90% at the end of 10 Years and 80% at the end 25 Years
Approvals and Certificates	IEC 61215 Ed2, IEC 61730, IEC 61701, IEC 62716, IEC 62804, UL 61730, BIS

* Refer to Alpex Modules Warranty Document

PACKAGING CONFIGURATION

Container Size	40' HC	Domestic Options	
Modules per Pallet	31 Pieces	27/30/31 Pieces	
Modules per Container	682 Pieces (22 Pallets)		

Alpex Solar Limited (ISO 9001:2015, ISO 14001:2015 & ISO 45001:2018 Certified Company)

Plot No.-I-25 & I-26, Site-5, Surajpur
Industrial Area, Kasna, Greater Noida – 201306,
District: Gautam Budh Nagar, Uttar Pradesh, (India)

Toll Free: 1800 11 2573
Email: info@alpexonline.com
Website: www.alpexsolar.com

Delhi | Jaipur | Kolkata | Ludhiana | Mumbai | Tirupur | Seoul | Sydney

DIAMOND

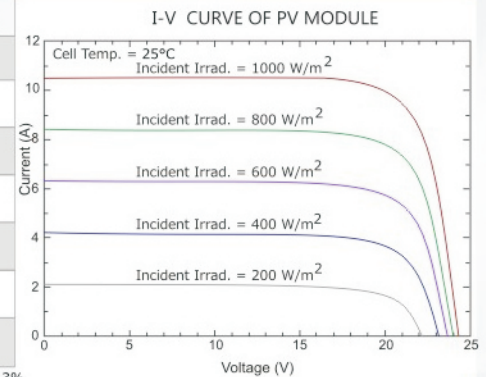
PV MODULES WITH X-FACTOR

175-200W MONO PERC CRYSTALLINE - 36 CELL



ELECTRICAL PARAMETERS AT STC

Model	ALP 175WM	ALP 180WM	ALP 185WM	ALP 190WM	ALP 195WM	ALP 200WM
Peak Power [Pmax(Wp)] (0 ~ +4.99 Wp)	175	180	185	190	195	200
Max. Power Voltage (Vmp) [V]	18.71	18.98	19.24	19.50	19.76	20.14
Max. Power Current (Imp) [A]	9.36	9.49	9.62	9.75	9.88	9.94
Open Circuit Voltage (Voc) [V]	23.26	23.40	23.59	23.76	23.88	24.28
Short Circuit Current (Isc) [A]	10.05	10.14	10.22	10.33	10.42	10.51
Module Efficiency (%)	16.95	17.43	17.91	18.40	18.88	19.37
Maximum System Voltage (V DC)	600	600	600	600	600	600

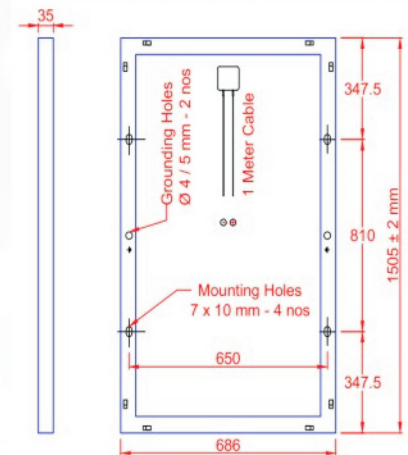


* STC: Irradiance 1000W/m², Cell Temperature 25°C, AM1.5 . All other parameters have a tolerance of +/-5%, Measurement Uncertainty +/-3%

MECHANICAL SPECIFICATIONS

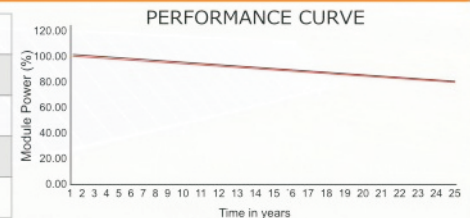
Dimensions (L x W x H)	1505 mm x 686 mm x 35 mm
Weight	11 Kgs
Junction Box	IP 67/68 Rated with 2 Bypass Diodes
Cable & Connectors	4.0 mm ² , Length - 1000 mm, MC4 Compatible (Available on Request)
Application Class	Class A (Safety Class II)
Superstrate	High Transmission, AR Coated Tempered Glass
Solar Cells	Mono PERC Crystalline - 36 pcs
Cell Encapsulation	EVA (Ethylene Vinyl Acetate)
Back Sheet	Multilayered Back Sheet
Frame	Anodized Aluminium Frame
Mechanical Load Test	5400 Pa (Snow Load), 2400 Pa (Wind Load)
Max. Series Fuses Rating	15A

DIMENSION OF PV MODULE (Unit : mm)



TEMPERATURE COEFFICIENTS (TC) AND PERMISSIBLE OPERATING CONDITIONS

NOCT	45°C ±2°C
Coefficient of Power (Pmax)	-0.35%/°C
Coefficient of Voltage (Voc)	-0.27%/°C
Coefficient of Current (Isc)	0.045%/°C
Temperature Range	-40°C To +85°C



WARRANTY AND CERTIFICATIONS

Performance*	Power output of 90% at the end of 10 Years and 80% at the end 25 Years
Approvals and Certificates	IEC 61215 Ed2, IEC 61730, IEC 61701, IEC 62716, IEC 62804, UL 61730, BIS

* Refer to Alpex Modules Warranty Document

PACKAGING CONFIGURATION

Container Size	40' HC	Domestic Options
Modules per Pallet	31 Pieces	27/30/31 Pieces
Modules per Container	1302 Pieces (42 Pallets)	

Alpex Solar Limited (ISO 9001:2015, ISO 14001:2015 & ISO 45001:2018 Certified Company)

Plot No.-I-25 & I-26, Site-5, Surajpur
Industrial Area, Kasna, Greater Noida – 201306,
District: Gautam Budh Nagar, Uttar Pradesh, (India)

Toll Free: 1800 11 2573
Email: info@alpexonline.com
Website: www.alpexsolar.com

Delhi | Jaipur | Kolkata | Ludhiana | Mumbai | Tirupur | Seoul | Sydney