

NIKKO MBB MONO PERC CRYSTALLINE

PV MODULES 265Wp - 555Wp

KEY FEATURES

- MBB Half-Cut Mono PERC Cell Technology.
- Reduced LCOE (Levelized Cost of Electricity) with increased ROI.
- Controlled temperature coefficient for high efficiency.
- Excellent power generation under shaded environments.
- Nikko [Sunshine in Japanese] series is cutting edge Japanese inspired PV technology.

10
YEARS

90%
POWER OUTPUT
GENERATION

25
YEARS

80%
POWER OUTPUT
GENERATION

Scan To Contact Us



CERTIFICATIONS



IEC 61215, IEC 61730

UL 61730

ISO 9001:2015 | QUALITY MANAGEMENT

ISO 14001:2015 | ENVIRONMENTAL MANAGEMENT

ISO 45001:2018 | OCCUPATIONAL HEALTH AND SAFETY MANAGEMENT



ISO 9001 : 2015 ISO 14001 : 2015
ISO 45001 : 2018 CERTIFIED COMPANY

NSE-EMERGE: ALPEXSOLAR

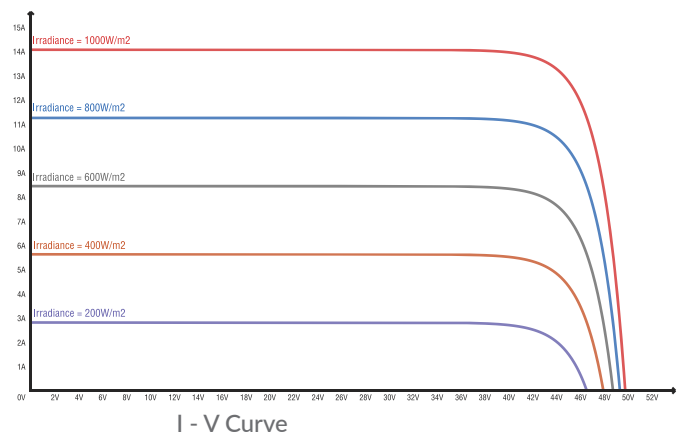
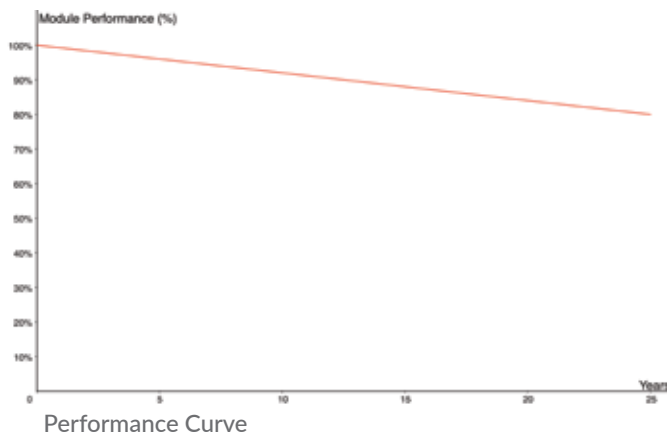
alpexsolar.com

ELECTRICAL PARAMETERS AT STC

Model	ALP24L 520WM[-T]	ALP24L 525WM[-T]	ALP24L 530WM[-T]	ALP24L 535WM[-T]	ALP24L 540WM[-T]	ALP24L 545WM[-T]	ALP24L 550WM[-T]	ALP24L 555WM[-T]
Peak Power (Pmax) [W] <small>(0~ +4.99 wp)</small>	520	525	530	535	540	545	550	555
Max. Power Voltage (Vmp) [V]	41.07	41.23	41.38	41.52	41.65	41.79	41.91	42.04
Max. Power Current (Imp) [A]	12.67	12.74	12.81	12.89	12.97	13.05	13.13	13.21
Open Circuit Voltage (Voc) (V)	48.98	49.15	49.31	49.46	49.61	49.75	49.88	49.99
Short Circuit Current (Isc) [A]	13.53	13.60	13.67	13.75	13.83	13.91	13.99	14.07
Module Efficiency (%)	20.13	20.32	20.52	20.71	20.90	21.10	21.29	21.48
Maximum System Voltage (V DC)	1500	1500	1500	1500	1500	1500	1500	1500

*STC: 25°C CELL TEMPERATURE | 1000W/M2 IRRADIANCE | AM1.5 SPECTRUM

RATING TOLERANCE AT STC (VOC / ISC)(%) : ±5 / ±5 | MEASUREMENT UNCERTAINTY: ±3% *[-T] MODELS REFER TO TRANSPARENT BACKSHEET



THERMAL CHARACTERISTICS & OPERATING CONDITIONS

NOCT	: 45°C ± 2°C
Coefficient of Power (Pmax)	: -0.35%/°C
Coefficient of Voltage (Voc)	: -0.27%/°C
Coefficient of Current (Isc)	: 0.045%/°C
Temperature Range	: -40°C to +85°C

PACKAGING CONFIGURATION

Container Size	: 40' HC
Modules/Pallet	: 31 Pieces
Modules/Container	: 620 Pieces (20 Pallets)

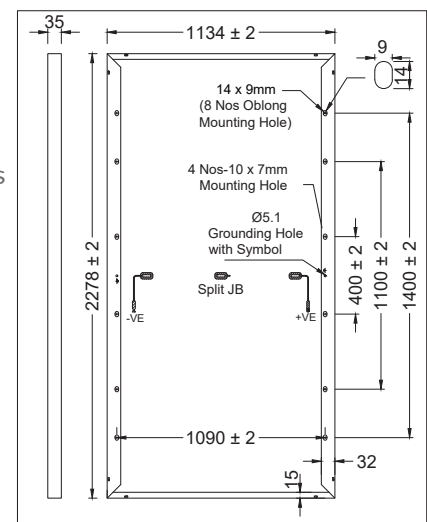
WARRANTY

PRODUCT WARRANTY : 10 Years

PERFORMANCE WARRANTY: Linear Power Warranty for 25 years with 1% degradation for 1st year

MECHANICAL SPECIFICATIONS

Dimensions (L x W x H)	: 2278 mm X 1134 mm X 35 mm
Weight	: 28.5 Kg
Junction Box	: IP 68, Split Junction Box with Individual Bypass Diodes
Cable & Connectors	: 4.0mm ² Solar Cable, 300mm, MC4 Compatible/Connectors
Application Class	: Class A (Safety Class II)
Superstrate	: 3.2mm High Transmission, Low Iron, ARC Tempered Glass
Cell Technology	: MonoPERC Crystalline 182x91mm - MBB 144 Cells
Cell Encapsulation	: EVA / EPE / POE
Substrate	: White / Black / Transparent Backsheet
Frame	: Silver / Black Anodized Aluminium
Mechanical Load Test	: 5400 Pa (Snow load), 2400 Pa (Wind load)
Max. Series Fuse Rating	: 25 A



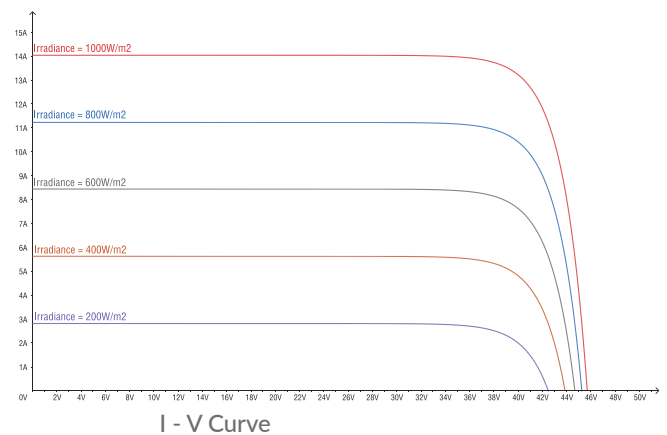
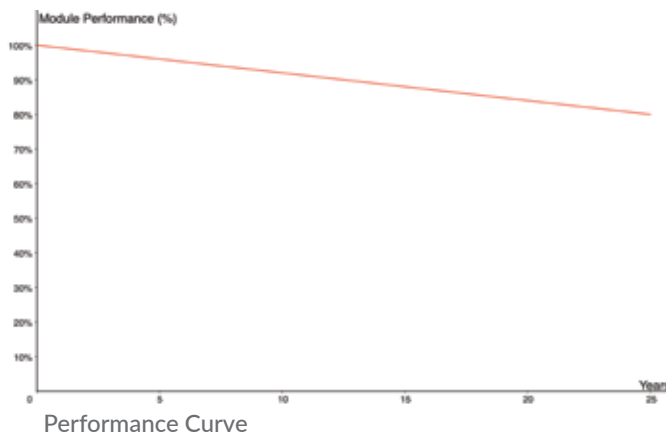
Specifications Included in this datasheet are subject to change without notice. Please confirm your exact requirements with your company representative before placing your order.

ELECTRICAL PARAMETER AT STC

Model	ALP22L 480WM[-T]	ALP22L 485WM[-T]	ALP22L 490WM[-T]	ALP22L 495WM[-T]	ALP22L 500WM[-T]	ALP22L 505WM[-T]	ALP22L 510WM[-T]	ALP22L 515WM[-T]
Peak Power (Pmax) [W] <small>(0~+4.99 wp)</small>	480	485	490	495	500	505	510	515
Max. Power Voltage (Vmp) [V]	37.02	37.23	37.44	37.66	37.83	38.04	38.27	38.46
Max. Power Current (Imp) [A]	12.97	13.03	13.09	13.15	13.22	13.28	13.33	13.40
Open Circuit Voltage (Voc) (V)	44.53	44.74	44.91	45.13	45.32	45.53	45.71	45.92
Short Circuit Current (Isc) [A]	13.58	13.65	13.73	13.80	13.87	13.93	13.99	14.04
Module Efficiency (%)	20.21	20.42	20.64	20.85	21.06	21.27	21.48	21.69
Maximum System Voltage (V DC)	1500	1500	1500	1500	1500	1500	1500	1500

*STC: 25°C CELL TEMPERATURE | 1000W/M2 IRRADIANCE | AM1.5 SPECTRUM

RATING TOLERANCE AT STC (VOC / ISC)(%) : ±5 / ±5 | MEASUREMENT UNCERTAINTY: ±3% *[-T] MODELS REFER TO TRANSPARENT BACKSHEET



THERMAL CHARACTERISTICS & OPERATING CONDITIONS

NOCT	: 45°C ± 2°C
Coefficient of Power (Pmax)	: -0.35%/°C
Coefficient of Voltage (Voc)	: -0.27%/°C
Coefficient of Current (Isc)	: 0.045%/°C
Temperature Range	: -40°C to +85°C

PACKAGING CONFIGURATION

Container Size	: 40' HC
Modules/Pallet	: 31 Pieces
Modules/Container	: 682 Pieces (22 Pallets)

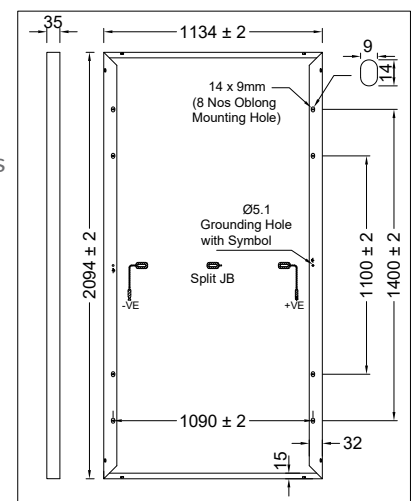
WARRANTY

PRODUCT WARRANTY : 10 Years

PERFORMANCE WARRANTY: Linear Power Warranty for 25 years with 1% degradation for 1st year

MECHANICAL SPECIFICATIONS

Dimensions (L x W x H)	: 2094 mm X 1134 mm X 35 mm
Weight	: 26 Kg
Junction Box	: IP 68, Split Junction Box with Individual Bypass Diodes
Cable & Connectors	: 4.0mm ² Solar Cable, 300mm, MC4 Compatible/Connectors
Application Class	: Class A (Safety Class II)
Superstrate	: 3.2mm High Transmission, Low Iron, ARC Tempered Glass
Cell Technology	: MonoPERC Crystalline 182x91mm - MBB 132 Cells
Cell Encapsulation	: EVA / EPE / POE
Substrate	: White / Black / Transparent Backsheet
Frame	: Silver / Black Anodized Aluminium
Mechanical Load Test	: 5400 Pa (Snow load), 2400 Pa (Wind load)
Max. Series Fuse Rating	: 25 A



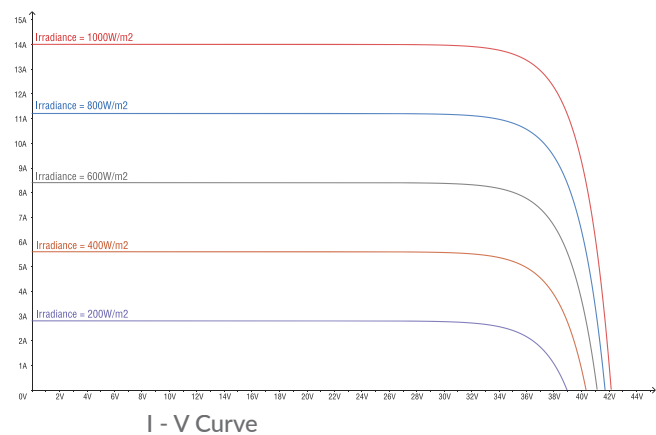
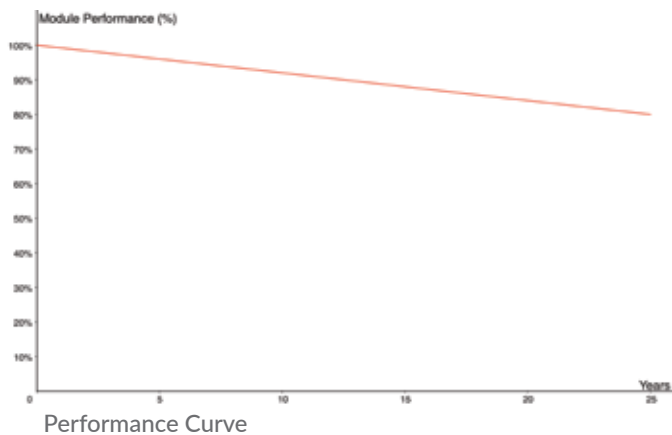
Specifications Included in this datasheet are subject to change without notice. Please confirm your exact requirements with your company representative before placing your order.

ELECTRICAL PARAMETER AT STC

Model	ALP20L 440WM[-T]	ALP20L 445WM[-T]	ALP20L 450WM[-T]	ALP20L 455WM[-T]	ALP20L 460WM[-T]	ALP20L 465WM[-T]	ALP20L 470WM[-T]
Peak Power (Pmax) [W] <small>(0~ +4.99 wp)</small>	440	445	450	455	460	465	470
Max. Power Voltage (Vmp) [V]	33.84	34.05	34.24	34.41	34.57	34.72	34.86
Max. Power Current (Imp) [A]	13.01	13.07	13.15	13.23	13.31	13.40	13.49
Open Circuit Voltage (Voc) (V)	41.30	41.52	41.72	41.90	42.07	42.23	42.38
Short Circuit Current (Isc) [A]	13.61	13.66	13.73	13.80	13.87	13.94	14.01
Module Efficiency (%)	20.29	20.52	20.75	20.99	21.22	21.45	21.68
Maximum System Voltage (V DC)	1500	1500	1500	1500	1500	1500	1500

*STC: 25°C CELL TEMPERATURE | 1000W/M2 IRRADIANCE | AM1.5 SPECTRUM

RATING TOLERANCE AT STC (VOC / ISC)(%) : ±5 / ±5 | MEASUREMENT UNCERTAINTY: ±3% *[-T] MODELS REFER TO TRANSPARENT BACKSHEET



THERMAL CHARACTERISTICS & OPERATING CONDITIONS

NOCT	: 45°C ± 2°C
Coefficient of Power (Pmax)	: -0.35%/°C
Coefficient of Voltage (Voc)	: -0.27%/°C
Coefficient of Current (Isc)	: 0.045%/°C
Temperature Range	: -40°C to +85°C

PACKAGING CONFIGURATION

Container Size	: 40' HC
Modules/Pallet	: 31 Pieces
Modules/Container	: 744 Pieces (24 Pallets)

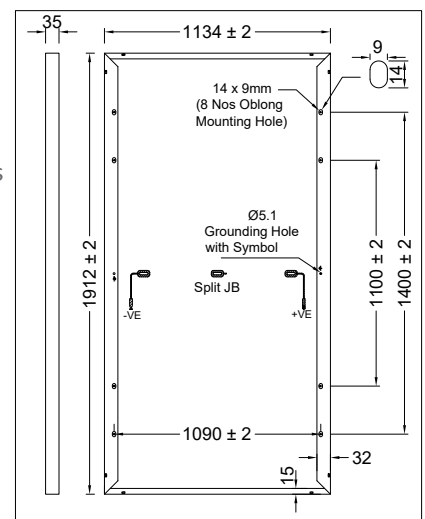
WARRANTY

PRODUCT WARRANTY : 10 Years

PERFORMANCE WARRANTY: Linear Power Warranty for 25 years with 1% degradation for 1st year

MECHANICAL SPECIFICATIONS

Dimensions (L x W x H)	: 1912 mm X 1134 mm X 35 mm
Weight	: 24 Kg
Junction Box	: IP 68, Split Junction Box with Individual Bypass Diodes
Cable & Connectors	: 4.0mm ² Solar Cable, 300mm, MC4 Compatible/Connectors
Application Class	: Class A (Safety Class II)
Superstrate	: 3.2mm High Transmission, Low Iron, ARC Tempered Glass
Cell Technology	: MonoPERC Crystalline 182x91mm - MBB 120 Cells
Cell Encapsulation	: EVA / EPE / POE
Substrate	: White / Black / Transparent Backsheet
Frame	: Silver / Black Anodized Aluminium
Mechanical Load Test	: 5400 Pa (Snow load), 2400 Pa (Wind load)
Max. Series Fuse Rating	: 25 A



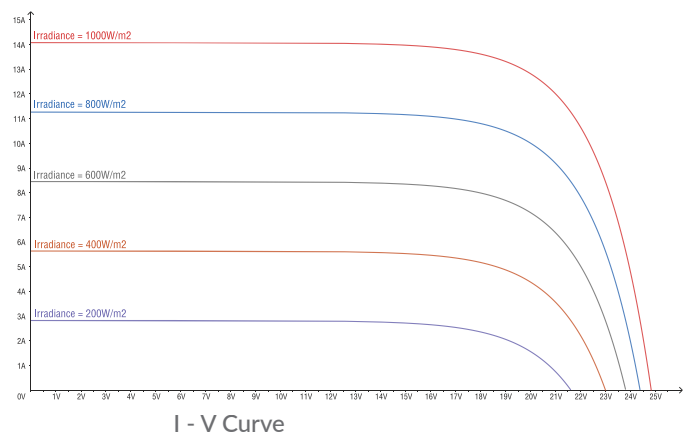
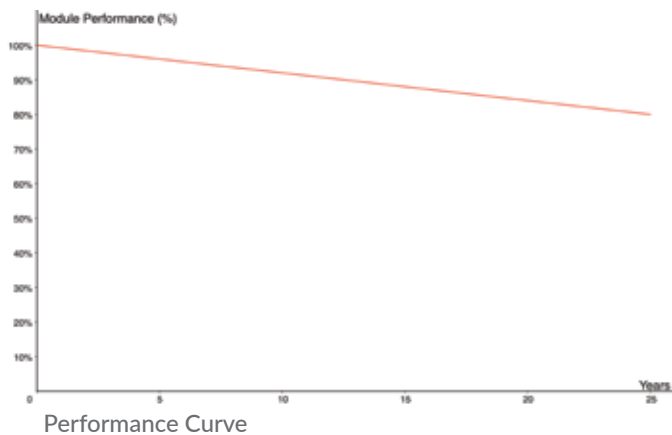
Specifications Included in this datasheet are subject to change without notice. Please confirm your exact requirements with your company representative before placing your order.

ELECTRICAL PARAMETER AT STC

Model	ALP12L 265WM[-T]	ALP12L 270WM[-T]	ALP12L 275WM[-T]	ALP12L 280WM[-T]
Peak Power (Pmax) [W] <small>(0~+4.99 wp)</small>	265	270	275	280
Max. Power Voltage (Vmp) [V]	20.69	20.83	20.95	21.12
Max. Power Current (Imp) [A]	12.82	12.97	13.13	13.26
Open Circuit Voltage (Voc) (V)	24.65	24.80	24.94	25.04
Short Circuit Current (Isc) [A]	13.67	13.83	13.99	14.08
Module Efficiency (%)	19.95	20.33	20.70	21.08
Maximum System Voltage (V DC)	1500	1500	1500	1500

*STC: 25°C CELL TEMPERATURE | 1000W/M2 IRRADIANCE | AM1.5 SPECTRUM

RATING TOLERANCE AT STC (VOC / ISC)(%) : ±5 / ±5 | MEASUREMENT UNCERTAINTY: ±3% *[-T] MODELS REFER TO TRANSPARENT BACKSHEET



THERMAL CHARACTERISTICS & OPERATING CONDITIONS

NOCT	: 45°C ± 2°C
Coefficient of Power (Pmax)	: -0.35%/°C
Coefficient of Voltage (Voc)	: -0.27%/°C
Coefficient of Current (Isc)	: 0.045%/°C
Temperature Range	: -40°C to +85°C

PACKAGING CONFIGURATION

Container Size	: 40' HC
Modules/Pallet	: 31 Pieces
Modules/Container	: 806 Pieces (26 Pallets)

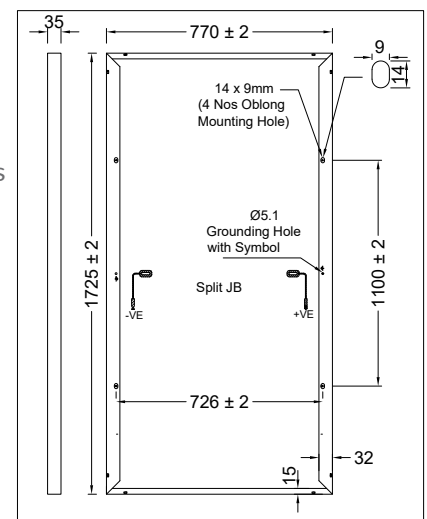
WARRANTY

PRODUCT WARRANTY : 10 Years

PERFORMANCE WARRANTY: Linear Power Warranty for 25 years with 1% degradation for 1st year

MECHANICAL SPECIFICATIONS

Dimensions (L x W x H)	: 1725 mm X 770 mm X 35 mm
Weight	: 14.6 Kg
Junction Box	: IP 68, Split Junction Box with Individual Bypass Diodes
Cable & Connectors	: 4.0mm ² Solar Cable, 300mm, MC4 Compatible/Connectors
Application Class	: Class A (Safety Class II)
Superstrate	: 3.2mm High Transmission, Low Iron, ARC Tempered Glass
Cell Technology	: MonoPERC Crystalline 182x91mm - MBB 72 Cells
Cell Encapsulation	: EVA / EPE / POE
Substrate	: White / Black / Transparent Backsheet
Frame	: Silver / Black Anodized Aluminium
Mechanical Load Test	: 5400 Pa (Snow load), 2400 Pa (Wind load)
Max. Series Fuse Rating	: 25 A



Specifications Included in this datasheet are subject to change without notice. Please confirm your exact requirements with your company representative before placing your order.