

NIKKO TOPCON N-TYPE BIFACIAL TOPCON

PV MODULES 560Wp - 590Wp

KEY FEATURES

- MBB Half-Cut TOPCon Cell Technology.
- Increased Power Generation with Transparent Backsheet.
- Reduced LCOE (Levelized Cost of Electricity) with Increased ROI.
- Controlled Temperature Coefficient for Higher Efficiency
- Exceptional Power Generation Under Shaded Environments
- Nikko [Sunshine in Japanese] is Bleeding Edge Japanese Inspired PV Technology

10
YEARS

90%
POWER OUTPUT
GENERATION

25
YEARS

80%
POWER OUTPUT
GENERATION

Scan To Contact Us



CERTIFICATIONS



IEC 61215, IEC 61730

UL 61730

ISO 9001:2015 | QUALITY MANAGEMENT

ISO 14001:2015 | ENVIRONMENTAL MANAGEMENT

ISO 45001:2018 | OCCUPATIONAL HEALTH AND SAFETY MANAGEMENT



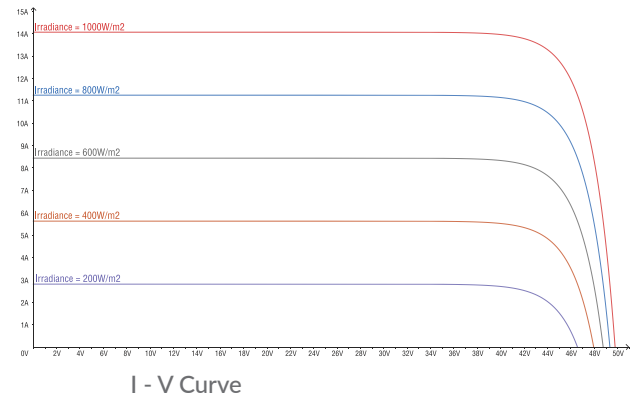
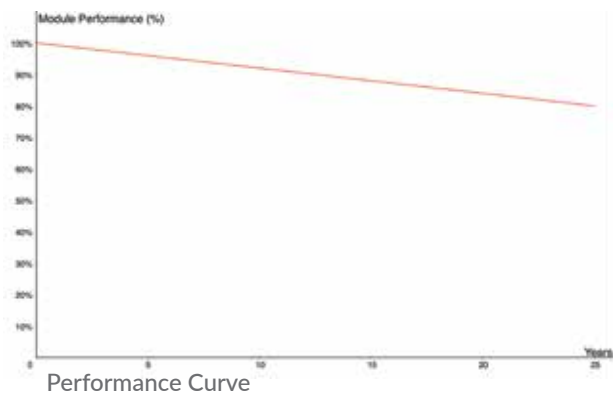
NSE-EMERGE: ALPEXSOLAR

alpexsolar.com

ELECTRICAL PARAMETERS AT STC

| Model | ALP24L 560WM-T | ALP24L 565WM-T | ALP24L 570WM-T | ALP24L 575WM-T | ALP24L 580WM-T | ALP24L 585WM-T | ALP24L 590WM-T |
|---|-------------------|-------------------|-------------------|-------------------|-------------------|-------------------|-------------------|
| Peak Power (Pmax) [W] (0~+4.99 wp) | 560 | 565 | 570 | 575 | 580 | 585 | 590 |
| Max. Power Voltage (Vmp) [V] | 42.30 | 42.50 | 42.70 | 42.90 | 43.10 | 43.30 | 43.50 |
| Max. Power Current (Imp) [A] | 13.24 | 13.30 | 13.35 | 13.41 | 13.46 | 13.52 | 13.57 |
| Open Circuit Voltage (Voc) (V) | 50.60 | 50.80 | 51.00 | 51.20 | 51.40 | 51.60 | 51.80 |
| Short Circuit Current (Isc) [A] | 13.91 | 13.97 | 14.03 | 14.09 | 14.15 | 14.21 | 14.27 |
| Module Efficiency (%) | 21.64 | 21.84 | 22.03 | 22.22 | 22.42 | 22.61 | 22.80 |
| Bifacial Gain - 10% | 616.0 | 621.5 | 627.0 | 632.5 | 638.0 | 643.5 | 649.0 |
| Bifacial Gain - 20% | 672.0 | 678.0 | 684.0 | 690.0 | 696.0 | 702.0 | 708.0 |
| Bifacial Gain - 30% | 728.0 | 734.5 | 741.0 | 747.5 | 754.0 | 760.5 | 767.0 |
| Maximum System Voltage (V DC) | 1500 | 1500 | 1500 | 1500 | 1500 | 1500 | 1500 |

*STC: 25°C CELL TEMPERATURE | 1000W/M2 IRRADIANCE | AM1.5 SPECTRUM
 **RATING TOLERANCE AT STC (VOC / ISC)(%) : ±5 / ±5 | MEASUREMENT UNCERTAINTY: ±3%



THERMAL CHARACTERISTICS & OPERATING CONDITIONS

| | |
|------------------------------|------------------|
| NOCT | : 45°C ± 3°C |
| Coefficient of Power (Pmax) | : -0.31%/°C |
| Coefficient of Voltage (Voc) | : -0.26%/°C |
| Coefficient of Current (Isc) | : 0.04%/°C |
| Temperature Range | : -40°C to +85°C |

PACKAGING CONFIGURATION

| | |
|-------------------|---------------------------|
| Container Size | : 40' HC |
| Modules/Pallet | : 31 Pieces |
| Modules/Container | : 620 Pieces (20 Pallets) |

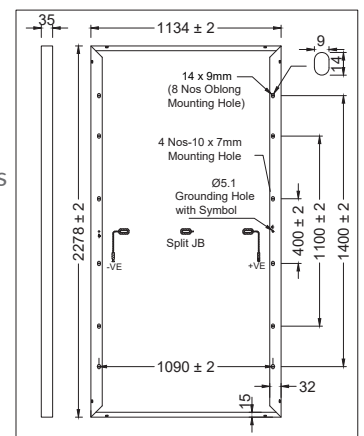
WARRANTY

PRODUCT WARRANTY : 10 Years

PERFORMANCE WARRANTY: Linear Power Warranty for 25 years with 1% degradation for 1st year

MECHANICAL SPECIFICATIONS

| | |
|-------------------------|--|
| Dimensions (L x W x H) | : 2278 mm X 1134 mm X 35 mm |
| Weight | : 28.5 Kg |
| Junction Box | : IP 68, Split Junction Box with Individual Bypass Diodes |
| Cable & Connectors | : 4.0mm ² Solar Cable, 300mm, MC4 Compatible/Connectors |
| Application Class | : Class A (Safety Class II) |
| Superstrate | : 2.0mm/3.2mm High Transmission, Low Iron, ARC Tempered Glass |
| Cell Technology | : N-Type TOPCon 182x91mm - MBB 144 Cells |
| Cell Encapsulation | : EVA / EPE / POE |
| Rear Cover Substrate | : 2.0mm Toughened Low Iron Glass / Transparent Backsheet |
| Frame | : Silver / Black Anodized Aluminium |
| Mechanical Load Test | : 5400 Pa (Snow load), 2400 Pa (Wind load) |
| Max. Series Fuse Rating | : 30 A |



Specifications Included in this datasheet are subject to change without notice. Please confirm your exact requirements with your company representative before placing your order.